

POWER SUPPLY NR REF. 18A1



BASIC FEATURES

Power supply unit **ref. 18A1** it is a part of house phone system. Apart from power supply unit, each house phone system must consist of:

- entrance panel with suitable loudspeaking unit and push buttons.
- house phones.

Power supply unit **ref. 18A1** it is a product from the latest generation of power supply units produced by MIWI-URMET. It is equipped with overload protection and special circuit which is responsible for quiet call signal heard in entrance panel during the call (call feedback). The additional triac is used to release electric lock.

OPERATION

Press the button of entrance panel to send the call signal to the house phone. Pick up the handset to talk or press the door lock release button to release the electric lock.

TERMINALS DESCRIPTION

~12	voltage 12Vac used to backlight or to release electric lock,
~0	ground for voltage 12Vac;
-0	ground;
MU	microphone output for house phones;
SU	loudspeaker output for house phones;
GP	loudspeaker output for entrance panel;
MP	microphone output for entrance panel;
G	tone generator;
LZ	door lock release line for house phones;
Z	electric lock;

NOTE:

Grounds: ~0 and -0 are connected inside the power supply.
1)

SETTINGS

The power supply **ref. 18A1** is equipped with 2 potentiometers for adjusting external (on the right) and internal volume (on the left).

Exchanging of the fuse is possible after taking the cover of power supply off. Remember to switch off the mains before performing this operation.

DEVICES COMPATIBLE WITH POWER SUPPLY UNIT REF. 18A1

Nr	Device	Ref.
1	House phones: Mod. 1131 Mod. 1132 Mod. 1133	1131 1132_40 1133
2	Entrance panels: Mod. 725 Mod. MIWI Mod. 1127 Mod. 525	1127/11_12
3	Loudspeaking units:	MR2

2)

INSTALLATION

Power supply unit **ref. 18A1** should be installed in a dry environment. It may be used both in DIN bar mounting and wall mounting by using the screws.

The additional cover can be used to protect terminals of the power supply.

ELECTRICAL CONNECTIONS

All electrical connections must be set up by authorized staff according to relevant electrical diagrams. Remember to disconnect the mains during his operation.

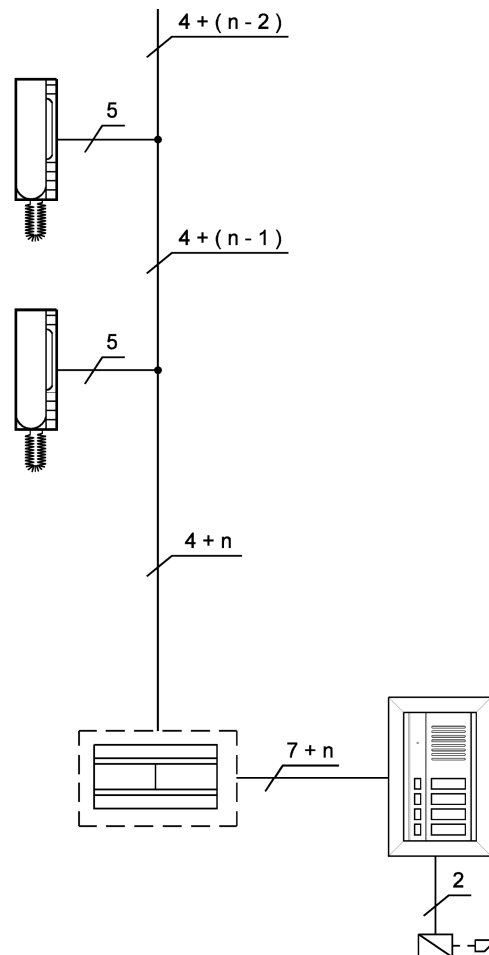
Before switching the mains on, make sure that all connections are made properly, and the protection cover is fitted.

Electric installation in a building must comply with all local regulations and safety standards.

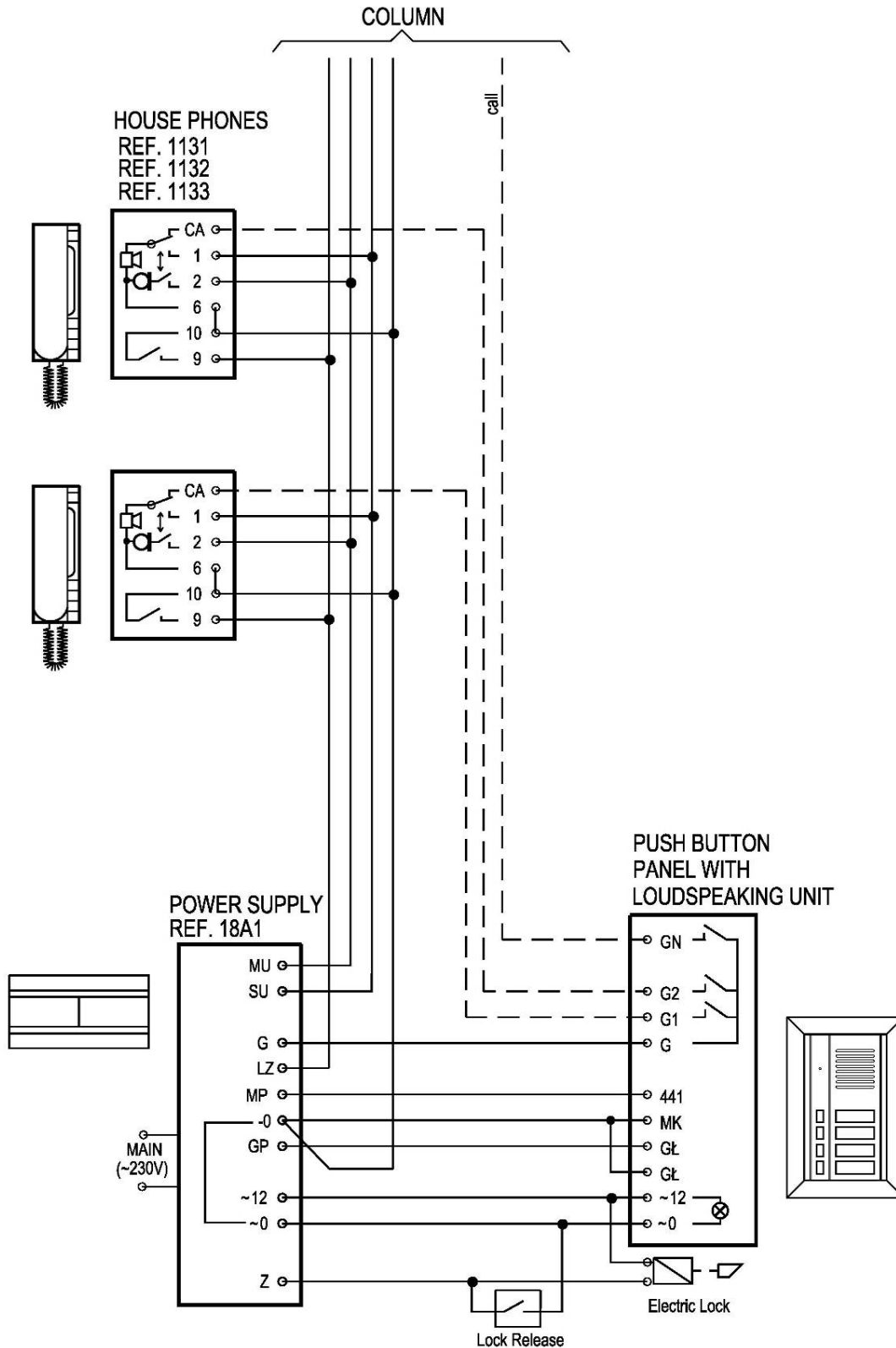
3)

TECHNICAL SPECIFICATIONS

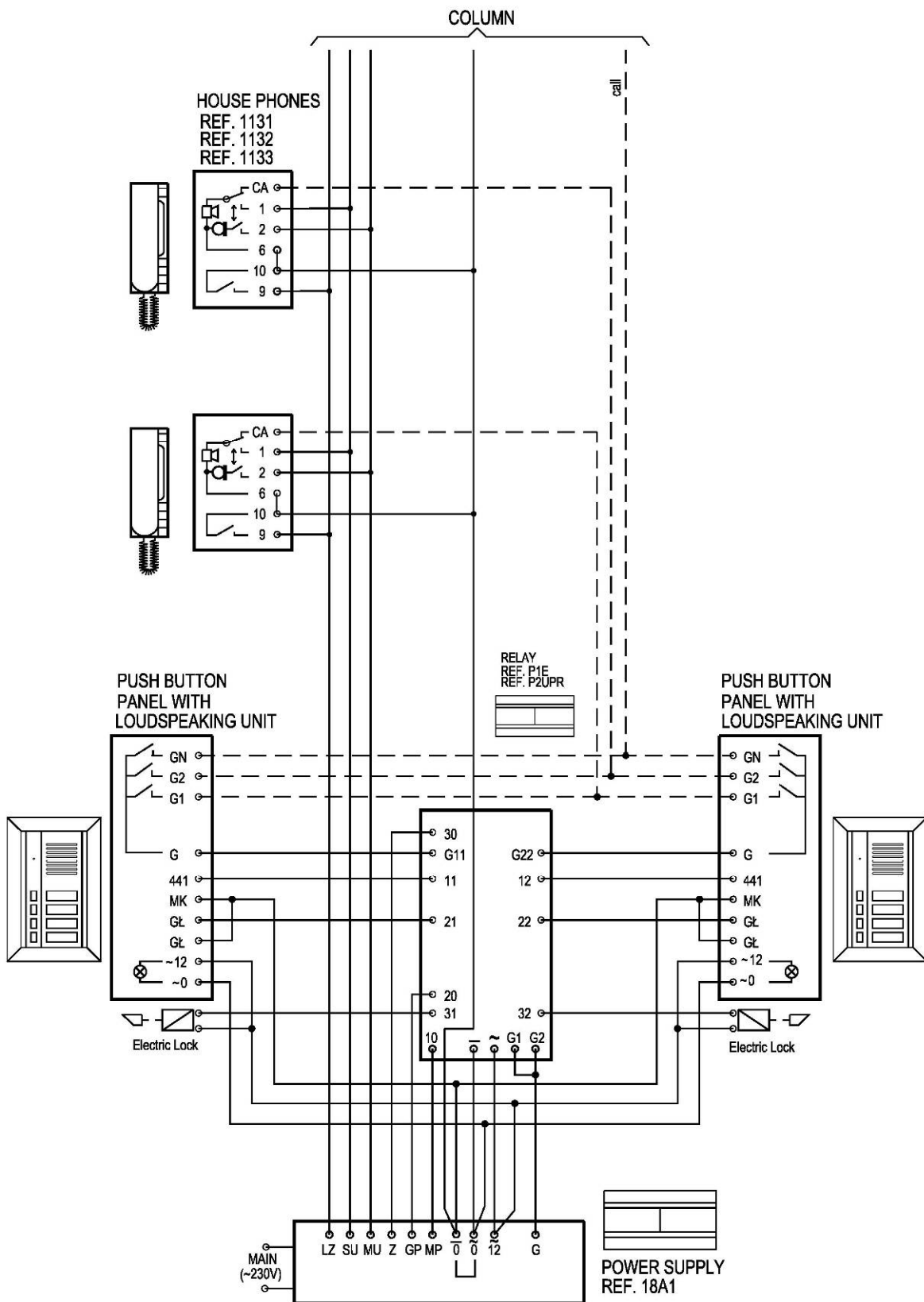
Power supply	230 V a. c. 50/60 Hz
Power	10 VA
Working temperature	-5°C ÷ +45°C
Min. Resistance for tone generator	> 20 Ohm
Protection	fuse T100mA
Dimensions (L x W x D)	106 x 90 x 66 mm (6 DIN) – without external cover 110 x 130 x 66 mm – with external cover

BLOCK DIAGRAM


n = number of house phones

**NOTE !!!:**

In case of using electric bulbs, use the additional relevant transformer if the bulb power is higher than 6W.

**NOTE !!!:**

In case of using electric bulbs, use the additional relevant transformer if the bulb power is higher than 6W.