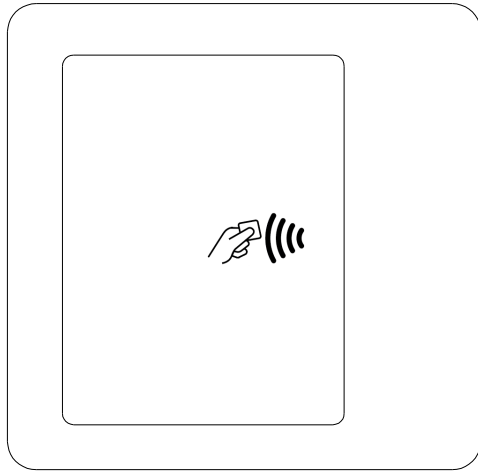


**RFID key/card reader  
SINTHESI module  
ref. no. 1052/70-RF**

**RFID KEY/CARD READER WITH INFORMATION MODULE REF. NO. 1052/70-RF**



**GENERAL INFORMATIONS**

Module ref. 1052 / 70-RF is a device access control system designed for system MATIBUS SE. It can work independently (stand-alone mode). It supports key-rings and standard RFID cards UNIQUE 125 kHz, eg. Ref. no. 1052 / KZ. Front RFID module is made of aluminum and plexiglass. It allows placement of a list of tenants. Backlight color is red. When you open the door red off, and the backlighting changes to green. The module can adjust the brightness of the backlight. The module has configurable audible signal (buzzer). The signaling can be turned off entirely, or set to one of three levels of volume.

Module can connect an external button that will cause the behavior of the module in such a way as during application of the programmed key - so-called "opening button".

You can configure the module settings, add, delete and edit keys through software on the PC.

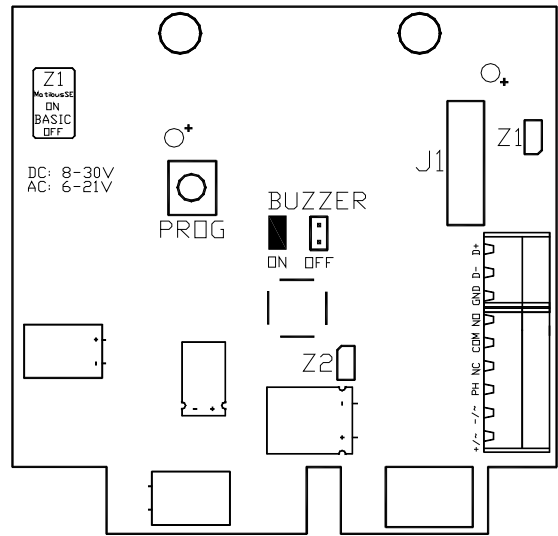
**DESCRIPTION OF TERMINAL BOARD**

- + / ~ AC / DC (polarity independent).
- / ~ AC / DC (polarity independent).
- NC** relay contact normally closed.
- COM** Relay common.
- NO** Relay normally open.
- PH** terminal opening button (the postman button).

**TECHNICAL DATA**

Working temperature:	-20°C ÷ +45°C
Supply:	8 ÷ 30 V DC 6 ÷ 21 V AC
Power:	1.2 W
Weight:	0.14 kg

**CONSTRUCTION**



**PROGRAMING IN MATIBUS SE SYSTEM**

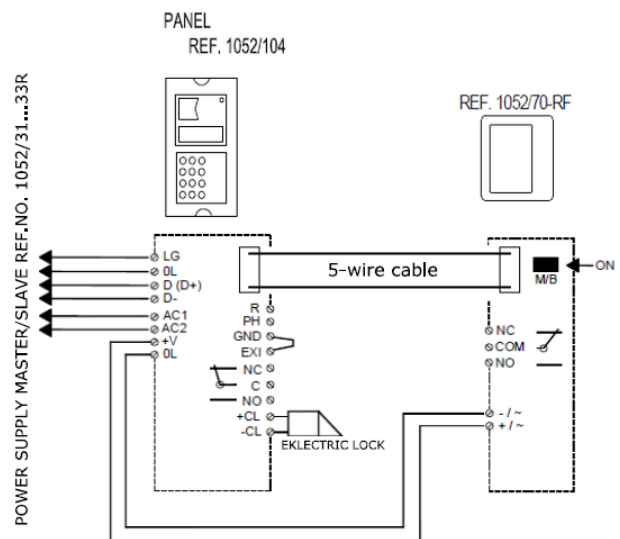
The device connects to the panel with keyboard through connector J1 and 5-wire cable (included in the package with RFID module). Additionally, you should connect power to the module/panel (+ V and GND of the panel - reverse polarity protection). Please do not connect device with working power supply of the panel.

After connecting the module and turn on the power, it will be automatically detected by the system. In this mode, the keys are programmed by entering the programming menu AC adapter (point P505 of programming step). The data stored keys are remember in the power supply Ref. no. 1052 / 31R or 1052 / 33R.

**Warning !**

**During operation in Matibus SE system, the jumper M/B on module ref. no. 1052 / MKD must be installed.**

**SCHEME OF CONNECTION WITH THE PANEL**



## PROGRAMING IN STAND-ALONE MODE USING „PROG” BUTTON

This mode is used eg. in analog systems. The keys are stored in the internal memory of the device. After applying the previously stored key/card module change the highlight color from red to green and the relay is “on” for the time specified by the user. In the module can be program maximum 2000 keys.

To access the programming menu, hold PROG for at least 1 second. Then the green LED next to the button PROG starts flashing and steady light every few seconds will flash together with the LED module of the information contained in the front. The blinking green LED signals a definite step in the programming menu.

Changing of program step followed by a short (less than 1 second) pressing the PROG button.

The module ref. no. 1052 / 70-RF has seven steps of programming. To exit the program at any time should be hold PROG button for at least 3 seconds. Automatic exit from the program menu will be after 60 sec. if there has been no response from the user. With PC application, you can enable / disable the option to enter the menu system.

## ADDING A NEW KEY

The LED flashes cyclically **1 time**. After affixing the key to the reader follows his reading (signaled by illumination of green LEDs and red LEDs light turns off), and then save it to a memory. In the case of an erroneous entry key will be blinking red LEDs. Flashing red LEDs may be one of three states:

- key is already stored in memory,
- there was an error reading key
- reader's memory is full.

## REMOVAL SINGLE KEY

The LED flashes periodically **2 times**. In this mode, affixing its stored key to the reader will light up green LEDs while extinguishing the red LEDs and remove it from the memory. Flashes red LED indicates that the key was not found written in the memory, or there is an incorrect reading.

## REMOVAL ALL KEYS

The LED flashes **3 times** cyclically. In this mode, followed by the removal of all keys stored in the reader's memory. Quadruple application to the reader any key (stored by the reader or not) will be deleted with the memory of all stored keys.

## ADJUSTING BRITHNESS OF THE BACKLIGHT

The LED flashes cyclically **4 times**. In this step, applying to the reader any key will increase the brightness of the backlight for 5 levels of brightness. Increasing the brightness occurs at intervals of 0.5 seconds. Once the maximum brightness level drops to its minimum value, and the whole cycle repeats itself.

## ADJUSTING THE TIME OF SWITCHING RELAY

The LED flashes cyclically **5 times**. The default time of the relay is 1 sec. Each application key to the reader extends the time that the relay by 1 sec. Touchdown key is signaled by momentary lighting up of green LEDs. The maximum duration of the relay is 20 seconds.

## ADDING „MASTER” KEY

The LED flashes cyclically **6 times**. In this step, you can add the so-called “MASTER” key. Applying the key to the reader will save the key as the MASTER key. Only one key can be the key to MASTER.

This key can be configured module ref. 1052 / 70-RF without unscrewing it and pressing the button PROG. More action MASTER key is in the “PROGRAMMING IN STAND-ALONE MODE USING “MASTER” KEY”.

## BUZZER VOLUME

The LED blinks **7 times** cyclically. In this step, you can change the volume of the buzzer. Applying the key to the reader will change the volume of the buzzer. Last played the buzzer volume is stored. To turn off the buzzer, remove the jumper BU.

## PROGRAMMING IN STAND-ALONE MODE USING “MASTER” KEY

Application to module ref. 1052 / 70-RF MASTER key will enter the programming mode. While working in programming mode any another application of MASTER key will change the programming step. After going through the whole cycle of programming menu (7 steps) will exit the programming menu. Active step programming menu flashing LEDs indicate information module. Only in the fourth step of the programming mode - “Adjusting brightness of the backlight” LEDs do not blink.

Warning:

Changing the settings for each step programming menu, make different key than the MASTER key.

MASTER key will not turn on the relay as normal key. Record Setting the backlight brightness, buzzer volume and time of the relay takes place only after exiting the programming mode. Adding and deleting keys takes place while application to the module..

## OPENING BUTTON PH

Module ref. 1052 / 70-RF can connect an external opening button. It should be connected into terminals “PH” and “- / ~”. Button will turn on the relay the same as application programmed key to the reader.

## JUMPER M/B

During operation in Matibus SE system, the jumper M/B on module ref. no. 1052 / 70-RF must be installed..

**In stand-alone mode jumper status does not matter.**

## JUMPER BU

The jumper is used to enable / disable the buzzer. Founded jumper activates the buzzer. Removed the jumper off the buzzer.

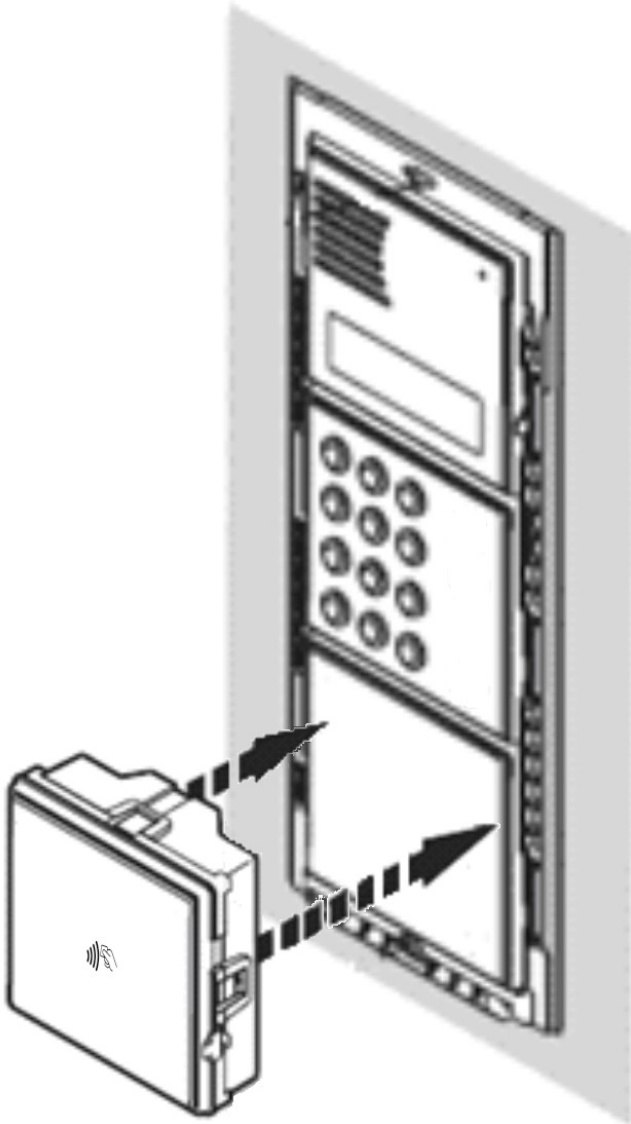
## POWER

In stand-alone mode module must be supplied with DC voltage range 8VDC ÷ 30V DC or alternating voltage with a range of 6VAC ÷ 21VAC.

**MOUNT**

Mounting the module **ref no. 1052/70-RF** is following

1. Press the module **ref. no 1052/70-RF** to the handle until the latch clicks.



2. Plug module to iBUTTON socket in call module **ref. no 1052/104**

MIWI-URMET sp. z o. o.

ul. Pojezierska 90A

91-341 Łódź

tel.: (0-42) 616-21-00

fax: (0-42) 616-21-13

e-mail: [miwi@miwiurmet.pl](mailto:miwi@miwiurmet.pl)

<http://www.miwiurmet.pl>